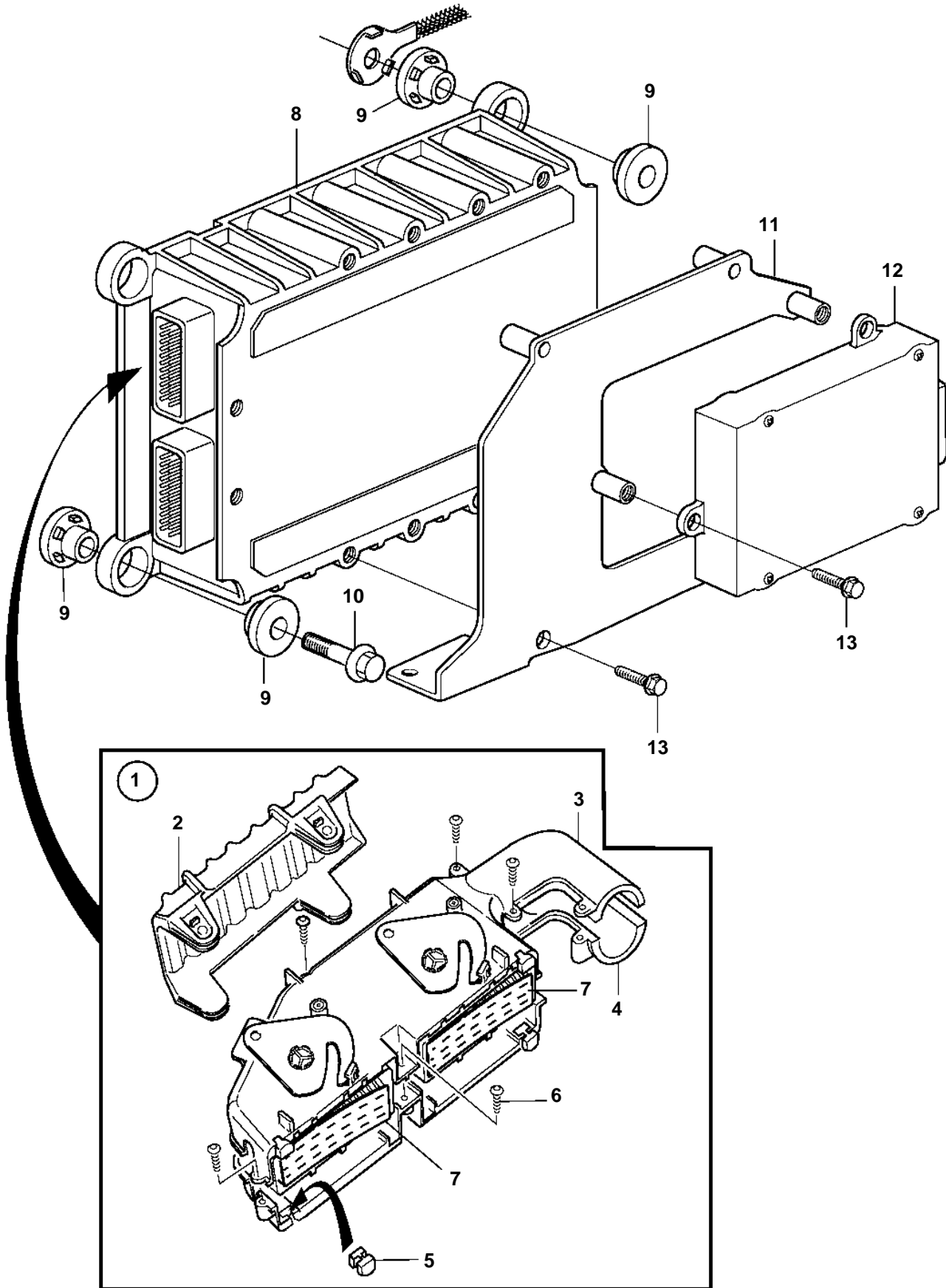


D12D-B MH, D12D-A MP



D12D-B MH, D12D-A MP

REF	PART NO.	QTY	DESCRIPTION	NOTES
1		1	Connector	
2	3199185	1	• Handle	
3	3173907	1	• Cover	
4	3173908	1	• Cover	
5	3173913	4	• Vibration damper	
6	975367	5	• 6 point socket screw	
7		2	• Pin housing	
8	20577134	1	Control unit, not programmed	EDC. Software ordered separately or downloaded with VODIA.
	3586269	1	Software	Warehouse programming. This p/n can not be ordered, but will be used for invoicing.
	3586268	1	Software	Vodia-programming. This p/n can not be ordered, but will be used for invoicing.
9	3095161	4	• Rubber cushion	
10	948217	4	Flange screw	
11	3836338	1	Bracket	
12	3809645	1	Electronic unit	(3812846)
13		7	Flange screw	